



# 捷迈坤 (厦门) 流体设备有限公司

JETMAKER (Xiamen) Fluid Equipment Co.,LTD

Tel:86-592-7805933 Web: www.jmakerpump.com E-mail: info@jmakerpump.com

Add:Unit 306,NO.5 Building CATIC Industrial Zone, NO.1 Huli Ave,Xiamen China

## BOTTLED WATER DISPENSER

### Feature&Benifits:

- Easiest way to connect this to your filtration kit/espresso machine
- Built-in check valve to prevent back flow
- Compact size for easy mounting
- Float switch for auto shut-off when bottle is empty
- Universal seal cap fits most water containers
- Long Life Motor: Ensures years of reliable operation

### JETMAKER Bottled Water System

#### For Home And Commercial Appliances

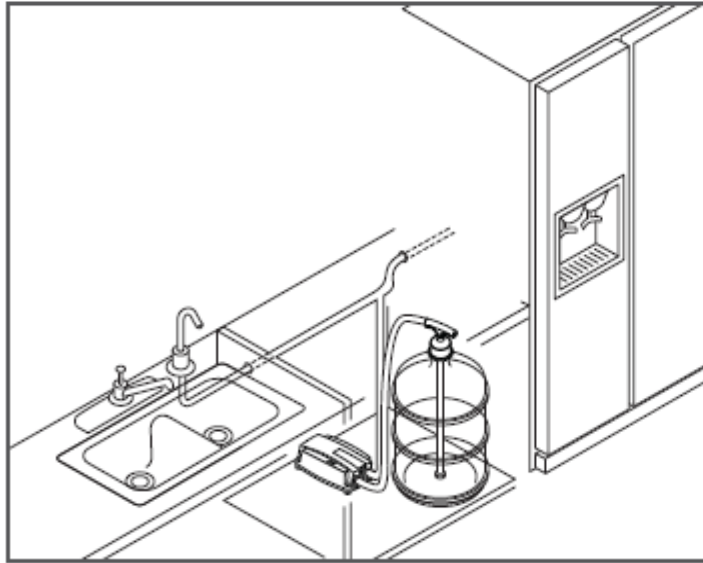
Bottle drinking water pump will deliver the water under pressure to an individual drinking water faucet, the water inlet of a refrigerator for the ice-maker and chilled drinking water tap, and to certain commercial coffee / tea brewers.

Two tubes bottle drinking water pump will deliver the water under pressure to an individual drinking water faucet, the water inlet of a refrigerator for the ice-maker and chilled drinking water tap, and to certain commercial coffee / tea brewers.

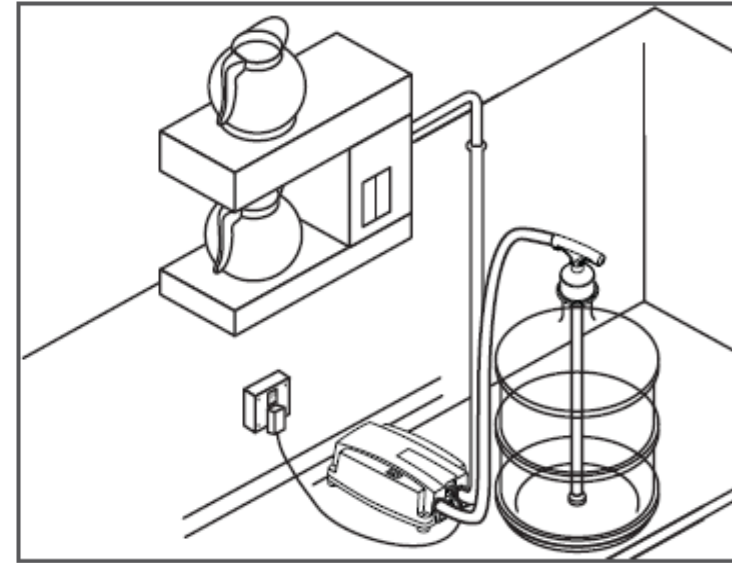
Genuine Jetmaker bottled water system is ideal where portability is key Pump recipe-quality water from commercial bottles to ensure better-tasting hot and cold beverages. The new BW4003A bottled water system is designed to work with coffee/tea makers, refrigerator ice and water dispensers, espresso carts and portable sinks or any use requiring portable potable water.

The BW4003A Bottled Water System is also designed for convenience. The pump automatically shuts off when the water source is depleted and restarts when water is restored. Its compact size supports easy mounting.

## Applications

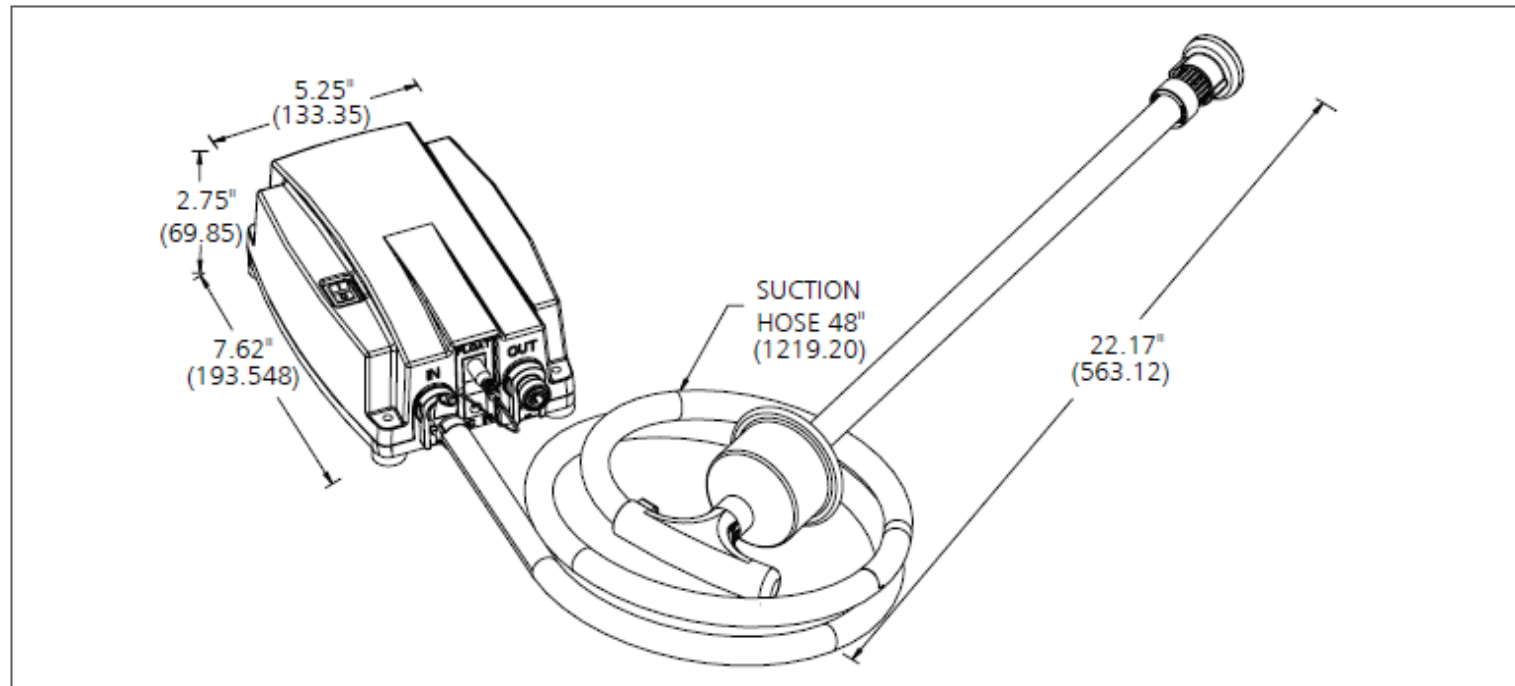





Refrigerator Dispense



Coffee Maker Dispense

## Dimensional Drawing:



Item	Tube	Model	Voltage	Wire Type	Open Flow Rate	Max. Pressure	Dimensions	Cord	Amp Draw	G.W	Picture	
1	Single Inlet Tube	BW1000A	115vAC	US PLUG	3.8LPM	40PSI	3.0"*5.5"*7.5"	6"	0.5A	3.5KGS		
		BW2000A	220VAC	AU PLUG UK PLUG EURO PLUG	3.8LPM	40PSI	3.0"*5.5"*7.5"	6"	0.25A	3.5KGS		
		BW3000A	12VDC	Only Wire	3.8LPM	40PSI	3.0"*5.5"*7.5"	6"	3A	3.2KGS		
2	Double Inlet Tube	BW1010A	115vAC	US PLUG	3.8LPM	40PSI	3.0"*5.5"*7.5"	6"	0.25A	3.5KGS		
		BW2020A	220VAC	AU PLUG UK PLUG EURO PLUG	3.8LPM	40PSI	3.0"*5.5"*7.5"	6"	0.3A	3.5KGS		
		BW3030A	12VDC	Only Wire	3.8LPM	40PSI	3.0"*5.5"*7.5"	6"	0.25A	3.5KGS		
3	Disassembly Inlet Tube	BW4003A	110-230VAC	Wall Type	3.8LPM	40PSI	3.0"*5.5"*7.5"	6"	0.25A	3.3KGS		
		BW4004A	110-230VAC	Wall Type	3.8LPM	40PSI	3.0"*5.5"*7.5"	6"	0.25A	3.5KGS		
		Dual disassemble inlet tube.										
		BW6004A	110-230VAC	Wall Type	3.8LPM	40PSI	3.0"*5.5"*7.5"	6"	0.25A	3.5KGS		
		Dual pumps buit in box with two inlet tube but working <b>successively</b>										

**RoHS** **CE** **SGS**

**JETMAKER (XIAMEN) Fluid EQUIPMENT CO., LTD**

**Tel:**86-592-7805933 **Web:** www.jmakerpump.com **E-mail:** info@jmakerpump.com

**Add:**Unit 306,NO.5 Building CATIC Industrial Zone, NO.1 Huli Ave,Xiamen China

All rights reserved.JETMAKER (XIAMEN) Fluid EQUIPMENT CO.,LTD