

Jetmaker YM2440-30 SOLAR-POWERED SUBMERSIBLE WATER PUMP

- * Solar-powered submersible pump suitable for wells with a 4 inch diameter or larger.
- *Designed to be strong and yet lightweight
- *Wide-range of parts and kits for ease of rebuilding and repair.



FEATURES & BENEFITS



Pump:

- *Strong Construction, yet lightweight (2.7kgs,6 lbs)
- *Corrosion-proof housing with stainless-steel fasteners
- *Dry Running capability without pump damage
- *Internal Bypass Feature for pump protection
- *Long-life,24VDC Operation
- *Easily repaired in the field
- *State of the art solid diaphragm
- ** New Product of Stainless steel body.

Power Connector:

- *Unique water-tight gland connector
- *Stops water wicking and prevents potential condensation
- *Quick Disconnect-No splicing necessary
- *Accepts a variety of jacketable cables

TECHNICAL CHARACTERISTICS

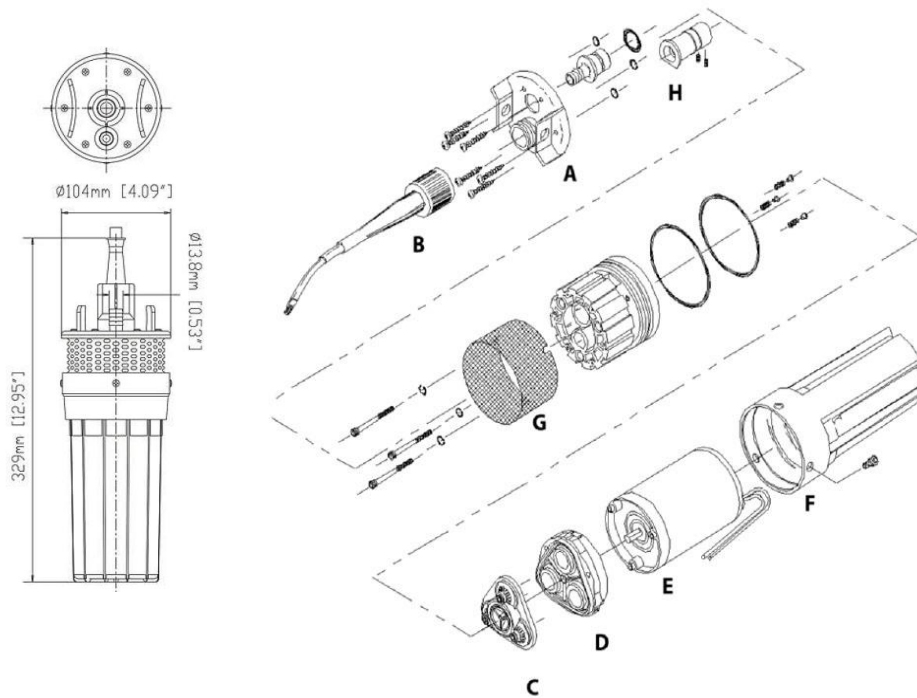
Pump Design	Positive Displacement 3 Chamber Diaphragm Pump
Motor	Permanent Magnet, Thermally Protected
Voltage	24V / 12V DC Nominal
Amps:	4.0 Max./8.0 Max.
Internal Bypass	105-110PSI Max.(7.2-7.5 BARS)
Maximum Lift	230 Feet Maximum (70m)
Maximum Submerion	100 Feet Maximum (30m)
Outlet Port	1/2"(12.7mm) Barbed Fitting for 1/2" (12.7mm) I.D.Tubing
Inlet	50 Mesh Stainless Steel screen
Materials	High Strength Engineered Plastics, Stainless Steel Fasteners Potable Water Well Pump

Model	Volt	Flow rate	lift(m)	Amps	Body cover	Remark
YM2440-30	24V	6.0LPM(360LPH)	70	4.0A	Palastic body	
YM1240-30	12V	6.0LPM(360LPH)	70	8.0A	Palastic body	
YM2460-30	24V	12.0LPM(720LPH)	100	5.0A	Stainless steel body	New arrived
YM1260-30	12V	12.0LPM(720LPH)	100	10.0A	Stainless steel body	New arrived

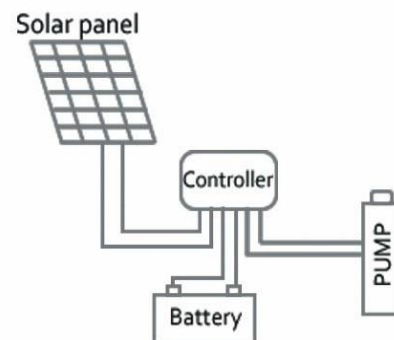
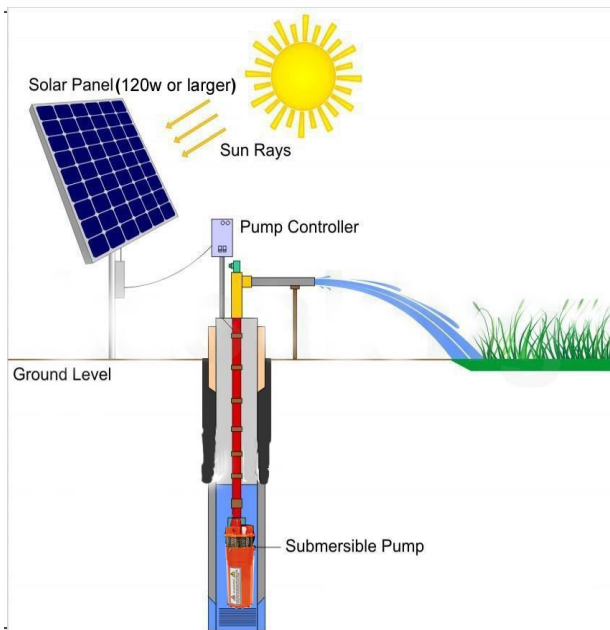
Typical Applications

- *Drinking water supply
- *Water supply for remote domestic usage
- *Water supply for solar thermal installation
- *Water supply for animals
- *Game parks and game farms

- *Solar micro irrigation (small family's garden. Small rural areas or green roof system)
- *Irrigation of fields and greenhouses
- *Pond management



- A Life Plate
- B Cable Plug Kit
- C Valve Kit
- D Lower Housing Assembly Kit
- E Motor Kit
- F Canister Kit
- G Filter Screen Kit
- H O-ring Kit



B. If the pump also need to work during the night time, or even in cloudy and rainy day, you also need controller and battery. (Pay more attention to the positive and negative electrodes, prohibit connected to the wrong)